



Electrolux
PROFESSIONAL

Eco Preparation 1600 mm Soaking Sink with 2 Bowls

ITEM # _____

MODEL # _____

NAME # _____

SIS # _____

AIA # _____



132913 (SLP216N)

Soaking Sink Unit with 2
bowls (600x500x340mm),
1600mm

Short Form Specification

Item No. _____

Worktop in 304 AISI stainless steel with front edge h=50mm.
Rear upstand h=100mm. N.2 bowls 600X500X340mm. Front
and side covering panels in stainless steel. Rear panel in
stainless steel. Square section legs 40x40mm in stainless
steel with adjustable feet.

Main Features

- Sturdiness, stability and reliability of table accurately tested.

Construction

- Constructed entirely in stainless steel to offer maximum durability.
- Wide range of taps are available to suit every need.
- Pan washing support to use inside the bowl is available as an accessory.

Optional Accessories

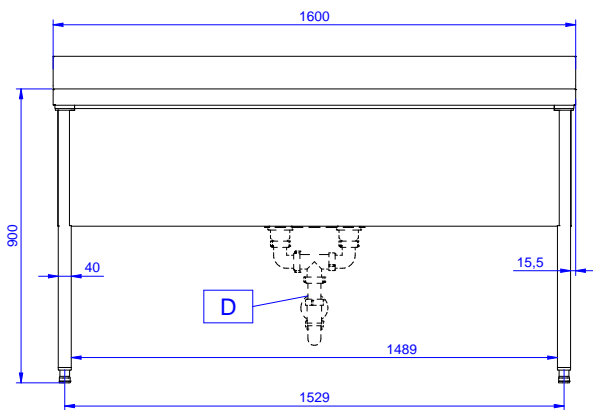
- Lower shelf for 1600mm tables and sinks PNC 855147
- Set of 4 wheels (2 with brake) d. 100mm for tables and sinks (total height on wheels= 993 mm) PNC 855150
- 3-sided underframe for 1600mm tables PNC 855154
- Single plastic drain syphon 1,5 " for work tables with bowl PNC 855306
- Elbow operated mixer tap with spout 3/4", single hole PNC 855322
- Elbow operated mixer tap with short spout 3/4", single hole PNC 855323
- Foot operated mixer tap (hot and cold) with spout 3/4" PNC 855328

APPROVAL: _____

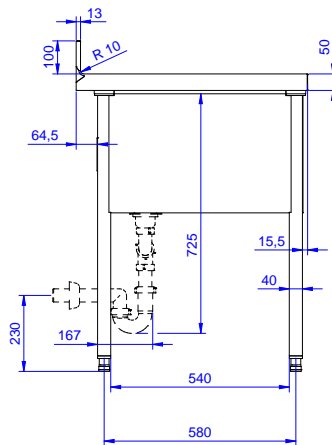


Experience the Excellence
www.electroluxprofessional.com

Front

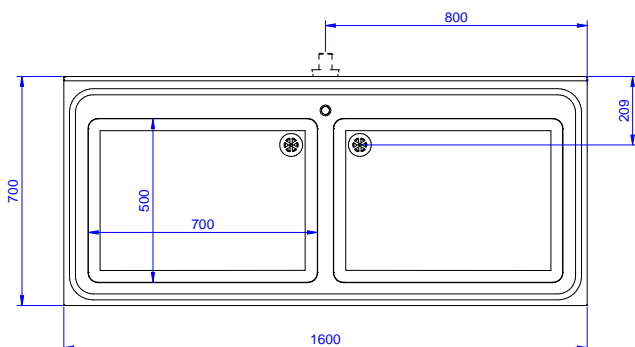


Side



D = Drain

Top



Key Information:

External dimensions, Width:	1600 mm
132913 (SLP216N)	
External dimensions, Depth:	700 mm
External dimensions, Height:	900 mm
Upstand Dimensions, Height:	100 mm
Upstand Dimensions, Depth:	13 mm
Upstand Dimensions, Radius:	R=10
Bowls number	2
Bowl dimensions	700x500xH400
Net weight:	65 kg